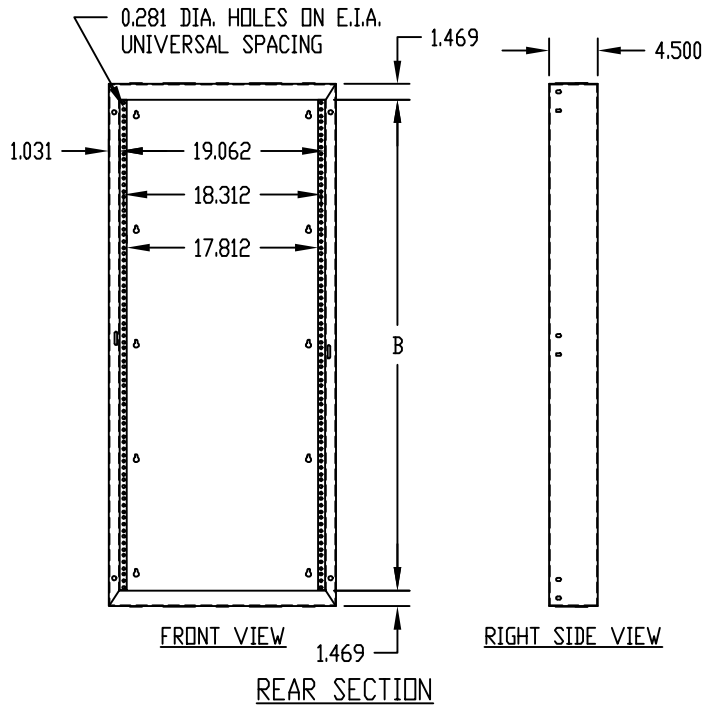
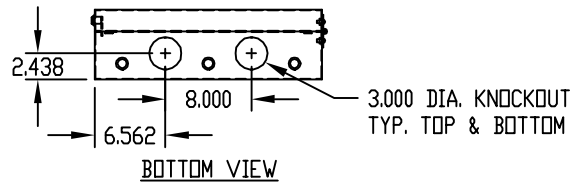
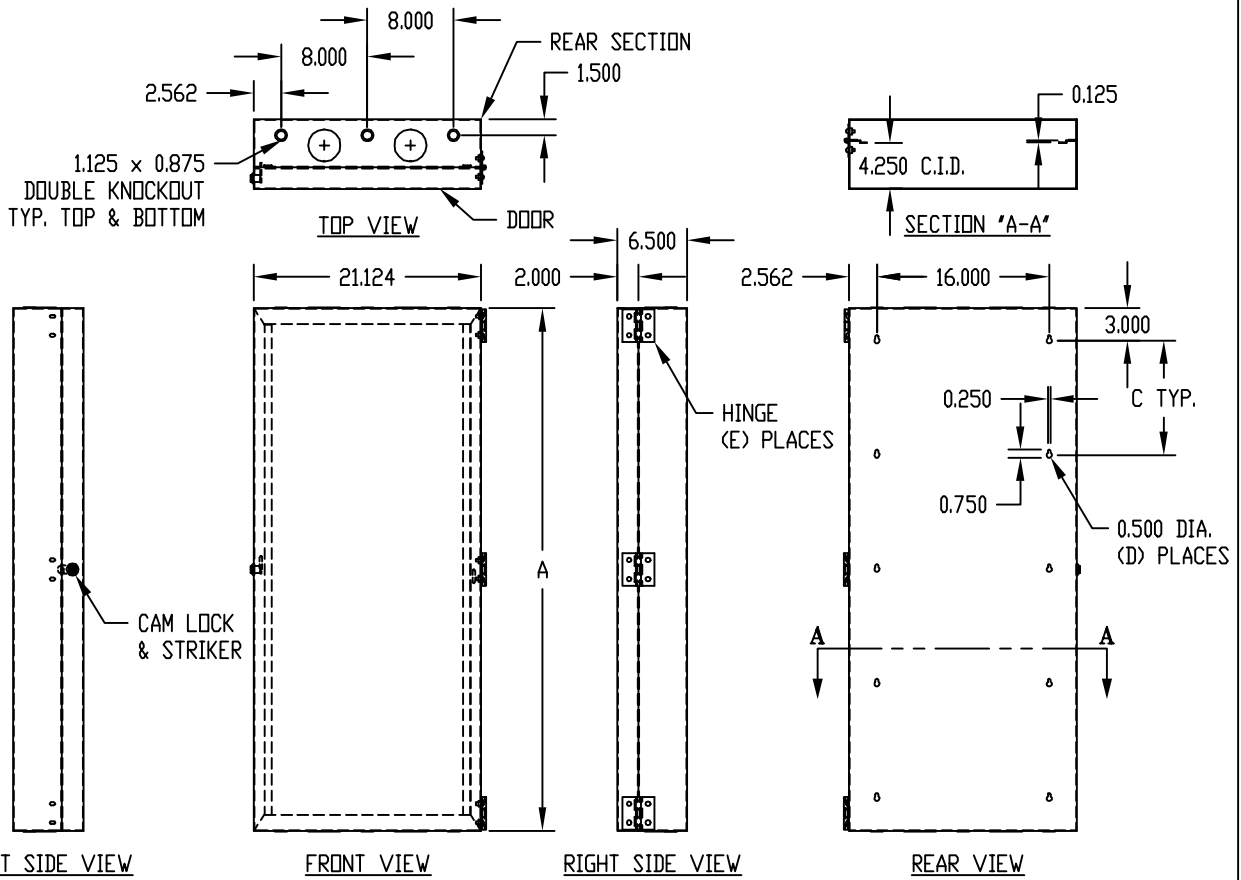


PART NAME

WALLMOUNT CABINET (2-SECTION)

PART No.

WM-5402 & WM-5404



MATERIAL: 16 GA. STEEL  
FINISH: BLACK TEXTURE  
OR WHITE TEXTURE

LOAD RATING: 150 LBS. MAX.

PART No.	A	B	C	D	E
WM-5402	24.000	21.062	9.000	6	2
WM-5404	48.500	45.562	10.625	10	3